

LYNNWOOD ORTHODOX PRESBYTERIAN CHURCH

Church Membership Class
May 29, 2022

Purpose:

THE CHURCH -

We can say:

- * Let's go to ...
- * Let's Be a ...
- * Let's join a ...

Uses of the Term: How is the word used?

The Biblical Pictures

- > 1 Cor 12:12 -
- > Ephesians 5:22ff -
- > 1 Cor. 3:10; 1 Pet. 2:5-
- > Others:

Is it important in God's Plan? Why?

- + 1 Tim 3:15-
- + John 16:13-16; 1 Cor. 2:12; Eph. 2:20:

- + Rom 9:4ff:

Whose Church is it?

Matthew 16:18

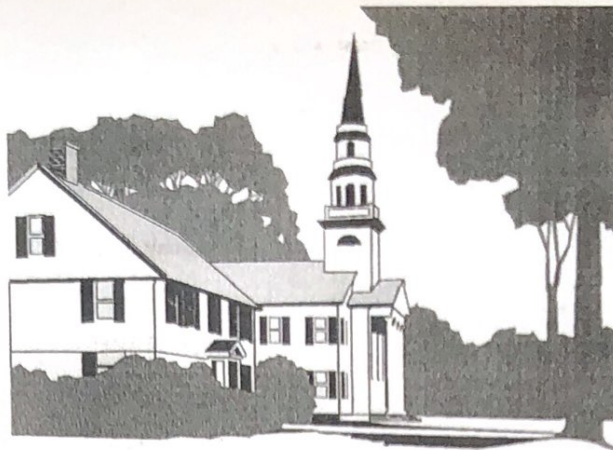
Ephesians 1²²

3¹⁰.

5^{25,27}

What is the Church?

kirk + eklesia =



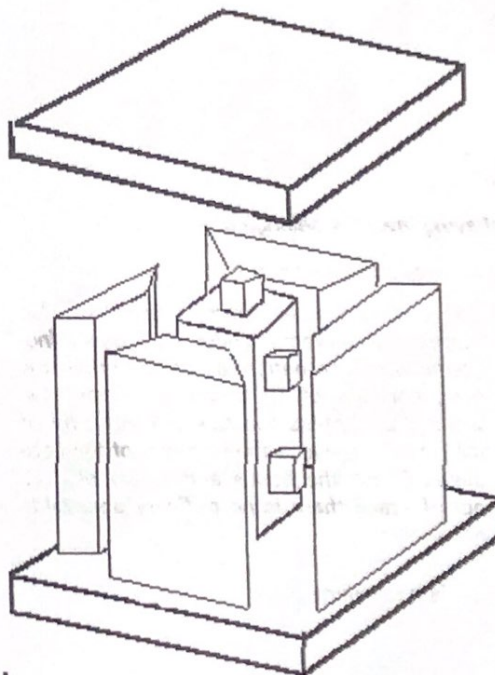
Looking for a Church, what questions would you ask in initial interviews?

The Marks:

- 1.
- 2.
- 3.

Being A Church

* The Organism: How does it Live?



An Interesting Comparison:

Four Life Sustaining Resources:

1. Eph 1:19ff
2. 2 Timothy 3:16, 17
3. 1Cor 12:12ff
4. 1 Peter 5. Acts 20

What does it Do?

Four Important Functions:

- 1.
- 2.
- 3.
- 4.

Family Life

1. **Believing involves belonging.**

Confession of Faith that -

25. 2. The visible church, which is also catholic or universal under the gospel (not confined to one nation, as before under the law), consists of all those throughout the world that profess the true religion; and of their children: and is the kingdom of the Lord Jesus Christ, the house and family of God, out of which there is no ordinary possibility of salvation.

2. **Church is a privilege,**